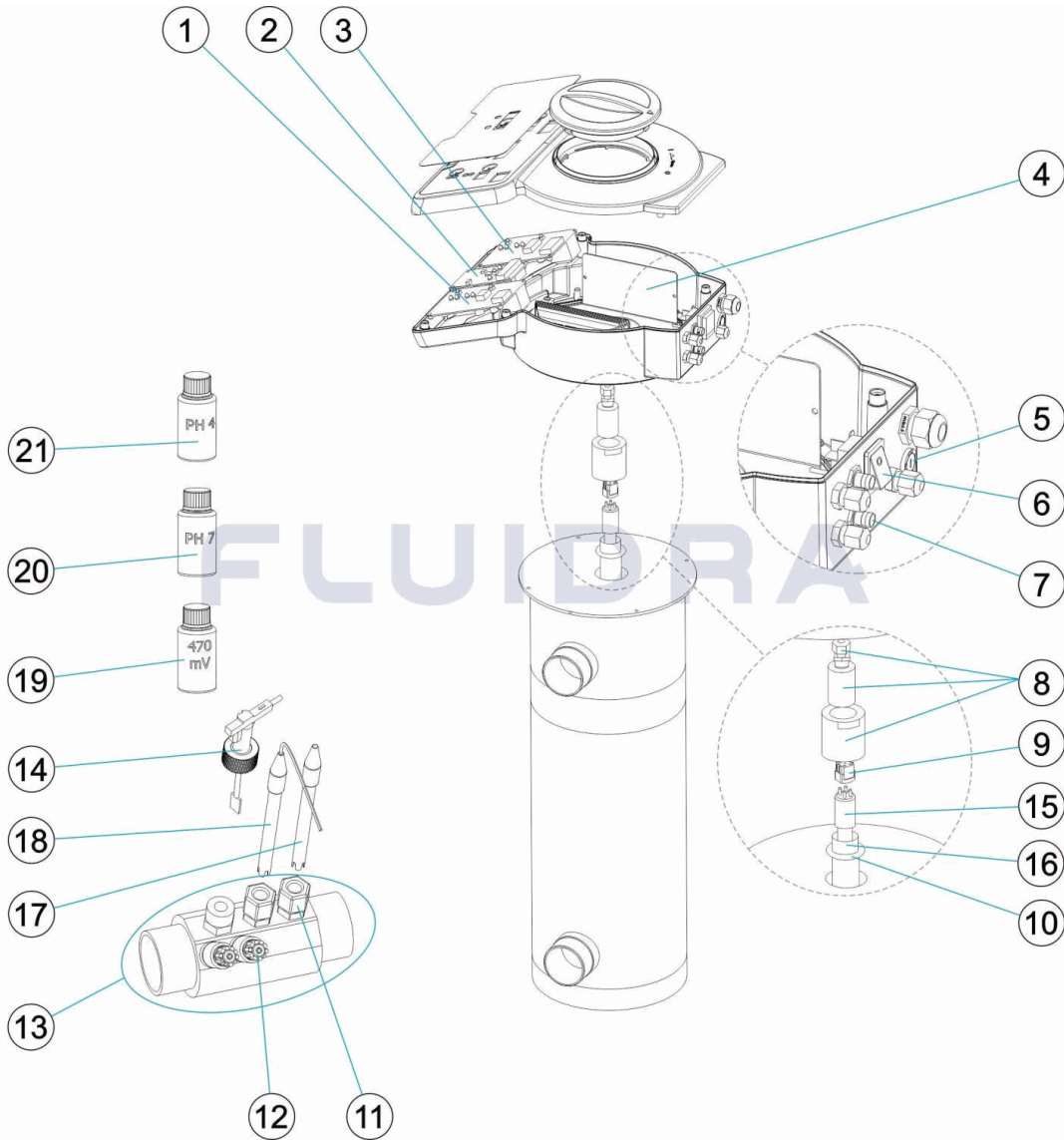


CODIGO 52214, 52215, 52216, 52217, 52218, 52219, 52220, 52221

DESCRIPCION: UV HELIOX LP PE (10,14,20,25)



ESPAÑOL

POS	CODIGO	DESCRIPCION	POS	CODIGO	DESCRIPCION
1	* 4408040602	PLACA CONTROL PH	13	* 4408070070	CUERPO SENSORES
2	4408070066	UV TARJETA ELECTRONICA	14	* 4408041211	FLUJOSTATO
3	* 4408041019	PLACA CONTROL ORP	15	* 60559	LAMPARA UV LP-10
4	* 4408070061	BALASTRO LP 10, 14	15	* 60606	LAMPARA UV LP-14
4	* 4408070062	BALASTRO LP 20, 25	15	* 60608	LAMPARA UV LP-20 (1X75W) Y LP30 V12 (2X75W)
5	4408041015	PORTAFUSIBLES 6X32 CHASIS	15	* 60609	LAMPARA UV LP-25
6	4408070065	INTERRUPTOR	16	* 60607	CUARZO UV LP-10,14
7	* 4408070069	CONECTOR BCN	16	* 60631	CUARZO UV LP-20-25-30
8	4408070078	CJTO. TUERCAS	17	* 60648	ELECTRODO COMBINADO PH
9	4408070059	CONECTOR 4PIN	18	* 60649	ELECTRODO ORP
10	4408070077	JUNTA TORICA	19	* 60633	SOLUCION CALIBRACION 470MV.
11	* 4408041310	RACOR INSERCIÓN Sonda 12M/M.-1/2"	20	* 60618	TAMPON PH 7,0 50 M/L. (VERDE)
12	* 4408040068	VALVULA INYECCION PH-MINUS 3/8"	21	* 60632	TAMPON PH 4,0 50 ML. (ROJO)

* -> VER HOJA DE OBSERVACIONES

CODIGO **52214, 52215, 52216, 52217, 52218, 52219, 52220, 52221**

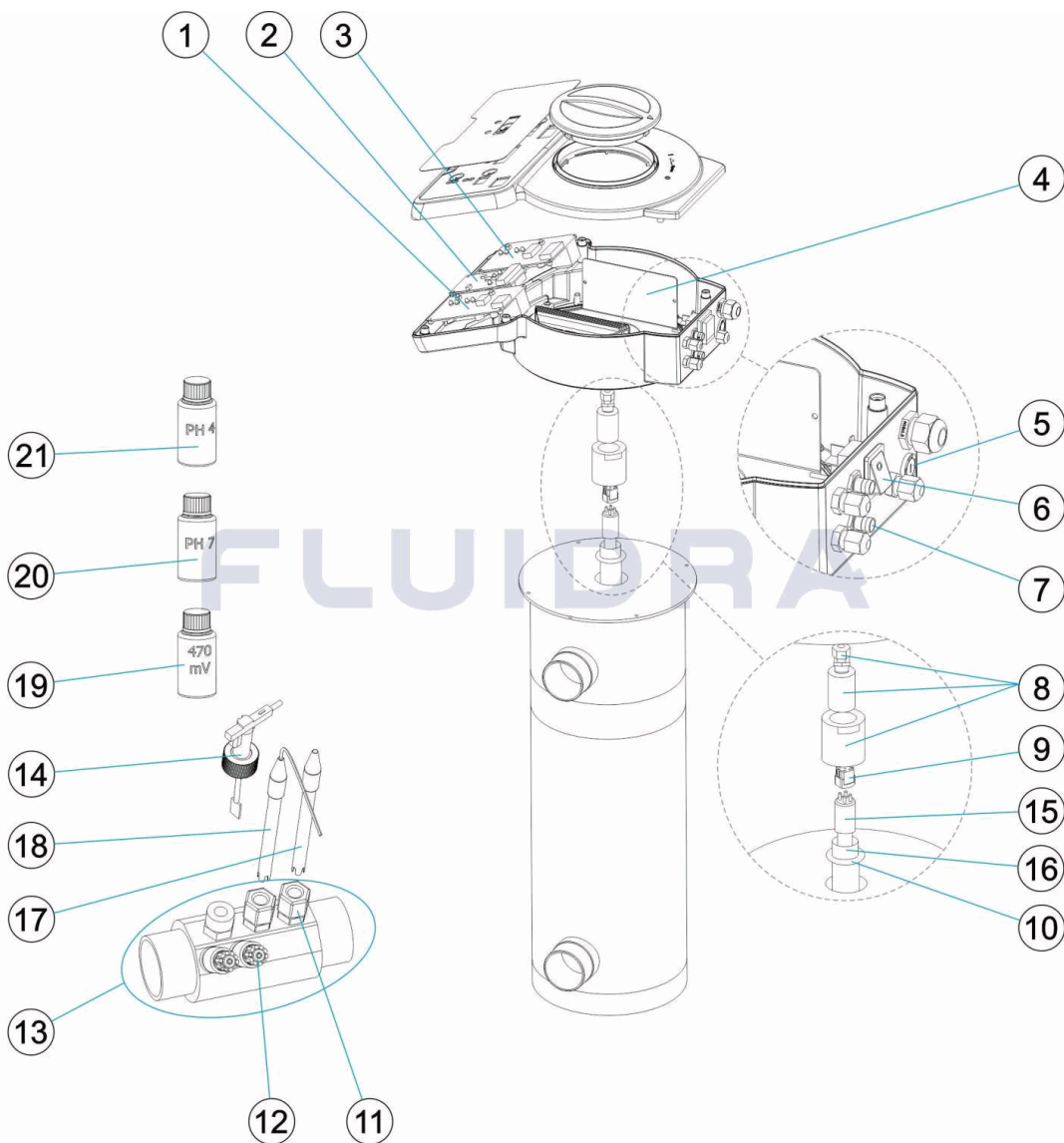
DESCRIPCION: UV HELIOX LP PE (10,14,20,25)

OBSERVACIONES

POS	CODIGO	OBSERVACIONES
1	4408040602	PARA: 52218, 52219, 52220, 52221
3	4408041019	PARA: 52218, 52219, 52220, 52221
4	4408070061	PARA: 52214, 52215, 52218, 52219
4	4408070062	PARA: 52216, 52217, 52220, 52221
7	4408070069	PARA: 52218, 52219, 52220, 52221
11	4408041310	PARA: 52218, 52219, 52220, 52221
12	4408040068	PARA: 52218, 52219, 52220, 52221
13	4408070070	PARA: 52218, 52219, 52220, 52221
14	4408041211	PARA: 52218, 52219, 52220, 52221
15	60559	PARA: 52214, 52218
15	60606	PARA: 52215, 52219
15	60608	PARA: 52216, 52220
15	60609	PARA: 52217, 52221
16	60607	PARA: 52214, 52215, 52218, 52219
16	60631	PARA: 52216, 52217, 52220, 52221
17	60648	PARA: 52218, 52219, 52220, 52221
18	60649	PARA: 52218, 52219, 52220, 52221
19	60633	PARA: 52218, 52219, 52220, 52221
20	60618	PARA: 52218, 52219, 52220, 52221
21	60632	PARA: 52218, 52219, 52220, 52221

CODE 52214, 52215, 52216, 52217, 52218, 52219, 52220, 52221

DESCRIPTION: UV HÉLIOX UV LP PE (10,14,20,25)



FRANCAIS

POS	CODE	DESCRIPTION	POS	CODE	DESCRIPTION
1	* 4408040602	PLAQUE CONTRÔLE PH	13	* 4408070070	CORPS CAPTEURS
2	4408070066	UV CARTE ÉLECTRONIQUE	14	* 4408041211	CONTROLEUR DE DEBIT
3	* 4408041019	PLAQUE CONTRÔLE ORP	15	* 60559	LAMPE UV LP-10
4	* 4408070061	BALLAST LP 10, 14	15	* 60606	LAMPE UV LP-14
4	* 4408070062	BALLAST LP 20, 25	15	* 60608	LAMPE UV LP-20 (1X75W) Y LP30 V12 (2X75W)
5	4408041015	PORTE-FUSIBLES 6X32 CASSIS	15	* 60609	LAMPE UV LP-25
6	4408070065	INTERRUPTEUR	16	* 60607	GAINÉ QUARTZ LP 10, 14
7	* 4408070069	CONNECTEUR BCN	16	* 60631	GAINÉ QUARTZ LP 20, 25, 30
8	4408070078	ENSEMBLE ÉCROUS	17	* 60648	ELECTRODE COMBINÉE PH
9	4408070059	CONNECTEUR 4PIN	18	* 60649	ELECTRODE ORP
10	4408070077	JOINT TORIQUE	19	* 60633	SOLUTION CALIBRAGE 470 MV
11	* 4408041310	CONNECTEUR 12M/M. - 1/2"	20	* 60618	TAMPON PH 7,0 50 M/L. (VERT)
12	* 4408040068	VANNE INJECTION PH-MINUS 3/8"	21	* 60632	TAMPON PH 4,0 50 ML. (ROUGE)

* -> VOIR FICHE D'OBSERVATIONS

CODE **52214, 52215, 52216, 52217, 52218, 52219, 52220, 52221**

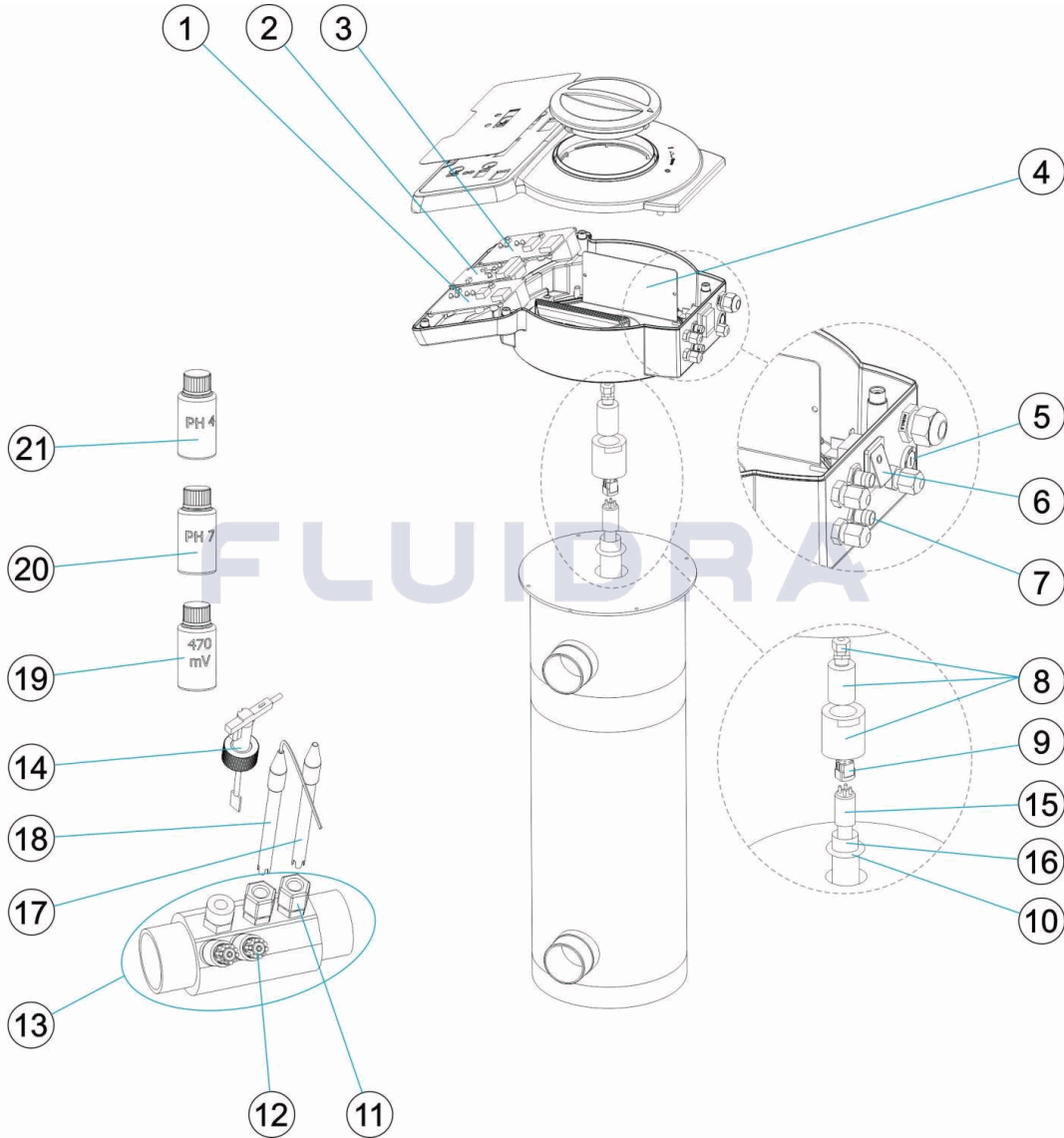
DESCRIPTION: **UV HÉLIOX UV LP PE (10,14,20,25)**

OBSERVATIONS

POS	CODE	OBSERVATIONS
1	4408040602	POUR: 52218, 52219, 52220, 52221
3	4408041019	POUR: 52218, 52219, 52220, 52221
4	4408070061	POUR: 52214, 52215, 52218, 52219
4	4408070062	POUR: 52216, 52217, 52220, 52221
7	4408070069	POUR: 52218, 52219, 52220, 52221
11	4408041310	POUR: 52218, 52219, 52220, 52221
12	4408040068	POUR: 52218, 52219, 52220, 52221
13	4408070070	POUR: 52218, 52219, 52220, 52221
14	4408041211	POUR: 52218, 52219, 52220, 52221
15	60559	POUR: 52214, 52218
15	60606	POUR: 52215, 52219
15	60608	POUR: 52216, 52220
15	60609	POUR: 52217, 52221
16	60607	POUR: 52214, 52215, 52218, 52219
16	60631	POUR: 52216, 52217, 52220, 52221
17	60648	POUR: 52218, 52219, 52220, 52221
18	60649	POUR: 52218, 52219, 52220, 52221
19	60633	POUR: 52218, 52219, 52220, 52221
20	60618	POUR: 52218, 52219, 52220, 52221
21	60632	POUR: 52218, 52219, 52220, 52221

CODE **52214, 52215, 52216, 52217, 52218, 52219, 52220, 52221**

DESCRIPTION: **UV LP PE (10,14,20,25) HELIOX UV**



ENGLISH

POS	CODE	DESCRIPTION	POS	CODE	DESCRIPTION
1	* 4408040602	ELECTRONIC CARD PH	13	* 4408070070	SENSOR BODY
2	4408070066	UV ELECTRONIC CARD	14	* 4408041211	FLOWSWITCH
3	* 4408041019	ELECTRONIC CARD ORP	15	* 60559	LAMPELC UV LP-10
4	* 4408070061	BALLAST LP 10, 14	15	* 60606	LAMPELC UV LP-14
4	* 4408070062	BALLAST LP 20, 25	15	* 60608	LAMPELC UV LP-20 (1X75W) Y LP30 V12 (2X75W)
5	4408041015	FUSE HOLDER 6X32	15	* 60609	LAMPELC UV LP-25
6	4408070065	CIRCUIT BREAKER	16	* 60607	QUARTZ SLEEVE LP 10, 14
7	* 4408070069	BCN CONNECTOR	16	* 60631	QUARTZ SLEEVE LP 20, 25, 30
8	4408070078	NUTS	17	* 60648	ELECTRODE PH
9	4408070059	4PIN CONNECTOR	18	* 60649	ORP ELECTRODE
10	4408070077	O' RING	19	* 60633	CALIBRATION SOLUTION ORP 470 MV
11	* 4408041310	CONNECTOR 12M/M. - 1/2"	20	* 60618	CALIBRATION SOLUTION PH 7,0 50 ML. (GREEN)
12	* 4408040068	PH-MINUS INJECTION VALVE 3/8"	21	* 60632	CALIBRATION SOLUTION PH 4,0 50 ML. (RED)

*** -> SEE OBSERVATIONS SHEET**

CODE **52214, 52215, 52216, 52217, 52218, 52219, 52220, 52221**

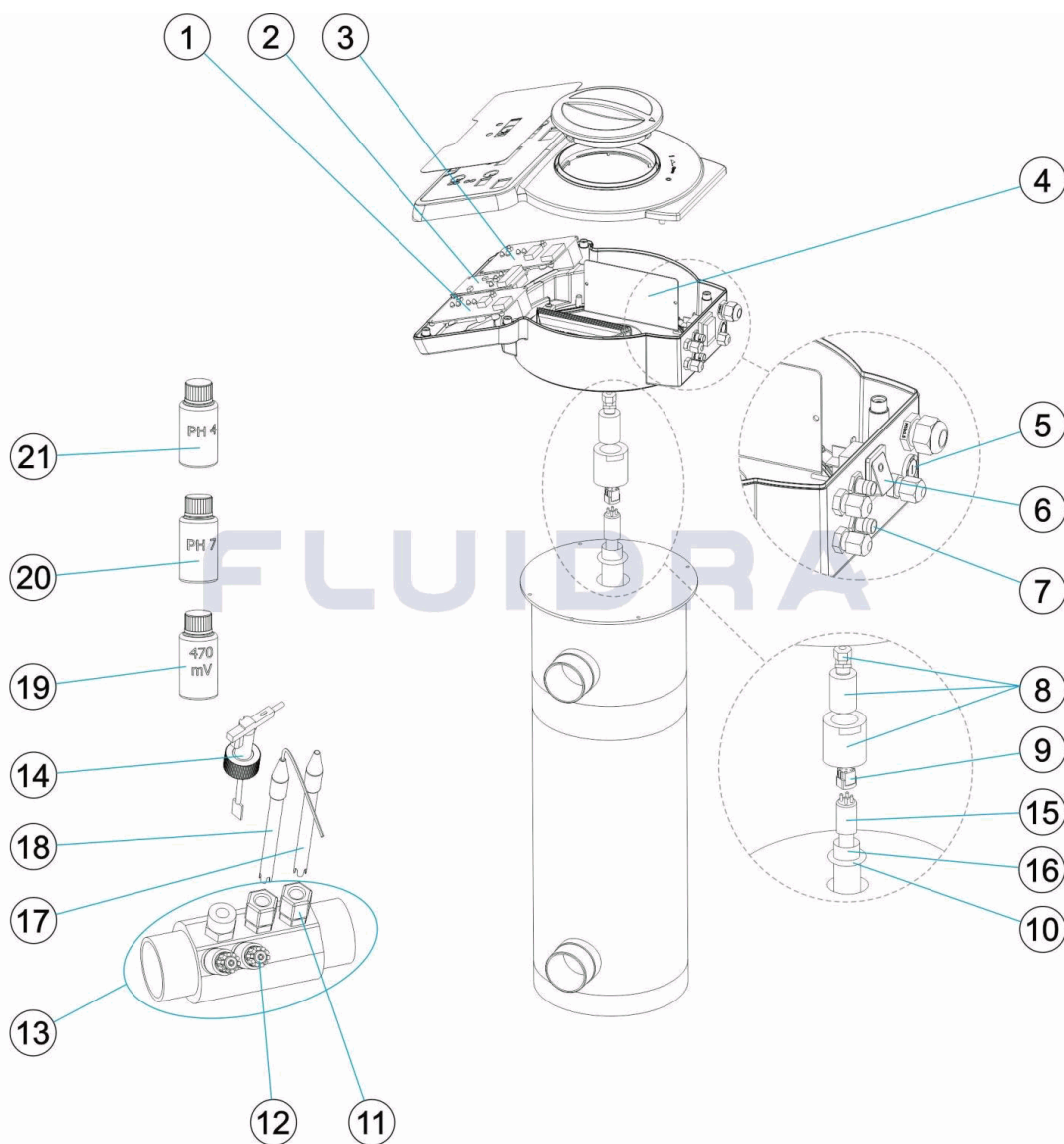
DESCRIPTION: **UV LP PE (10,14,20,25) HELIOX UV**

OBSERVATIONS

POS	CODE	OBSERVATIONS
1	4408040602	FOR: 52218, 52219, 52220, 52221
3	4408041019	FOR: 52218, 52219, 52220, 52221
4	4408070061	FOR: 52214, 52215, 52218, 52219
4	4408070062	FOR: 52216, 52217, 52220, 52221
7	4408070069	FOR: 52218, 52219, 52220, 52221
11	4408041310	FOR: 52218, 52219, 52220, 52221
12	4408040068	FOR: 52218, 52219, 52220, 52221
13	4408070070	FOR: 52218, 52219, 52220, 52221
14	4408041211	FOR: 52218, 52219, 52220, 52221
15	60559	FOR: 52214, 52218
15	60606	FOR: 52215, 52219
15	60608	FOR: 52216, 52220
15	60609	FOR: 52217, 52221
16	60607	FOR: 52214, 52215, 52218, 52219
16	60631	FOR: 52216, 52217, 52220, 52221
17	60648	FOR: 52218, 52219, 52220, 52221
18	60649	FOR: 52218, 52219, 52220, 52221
19	60633	FOR: 52218, 52219, 52220, 52221
20	60618	FOR: 52218, 52219, 52220, 52221
21	60632	FOR: 52218, 52219, 52220, 52221

CODICE 52214, 52215, 52216, 52217, 52218, 52219, 52220, 52221

DESCRIZIONE: UV HELIOX UV LP PE (10,14,20,25)



ITALIANO

POS	CODICE	DESCRIZIONE	POS	CODICE	DESCRIZIONE
1	* 4408040602	SCHEDA PH	13	* 4408070070	CORPO SENSORI
2	4408070066	UV SCHEDA ELETTRONICA	14	* 4408041211	FLUSSOSTATO
3	* 4408041019	SCHEDA RX	15	* 60559	LAMPADA UV LP-10
4	* 4408070061	REGOLATORE DI CORRENTE LP 10, 14	15	* 60606	LAMPADA UV LP-14
4	* 4408070062	REGOLATORE DI CORRENTE LP 20, 25	15	* 60608	LAMPADA UV LP-20 (1X75W) Y LP30 V12 (2X75W)
5	4408041015	PORTAFUSIBILI 6X32 CORPO	15	* 60609	LAMPADA UV LP-25
6	4408070065	INTERRUTTORE	16	* 60607	GUAINA DI QUARZO LP 10, 14
7	* 4408070069	CONNETTORE BCN	16	* 60631	GUAINA DI QUARZO LP 20, 25, 30
8	4408070078	CONGIUNTO DADI	17	* 60648	ELETTRODO COMBINATO PH
9	4408070059	CONNETTORE 4910	18	* 60649	ELETTRODO RX
10	4408070077	O-RING	19	* 60633	SOLUZIONE CALIBRAZIONE 470MV.
11	* 4408041310	CONNETTORE 12M/M. - 1/2"	20	* 60618	SOLUZIONE TAMPONE PH 7,0 50 ML. (VERDE)
12	* 4408040068	VALVOLA INIEZIONE PH-MINUS 3/8"	21	* 60632	SOLUZIONE TAMPONE PH 4,0 50 ML. (ROSSO)

* -> SI FACCIÀ RIFERIMENTO AL FOGLIO DELLE OSSERVAZIONI

CODICE **52214, 52215, 52216, 52217, 52218, 52219, 52220, 52221**

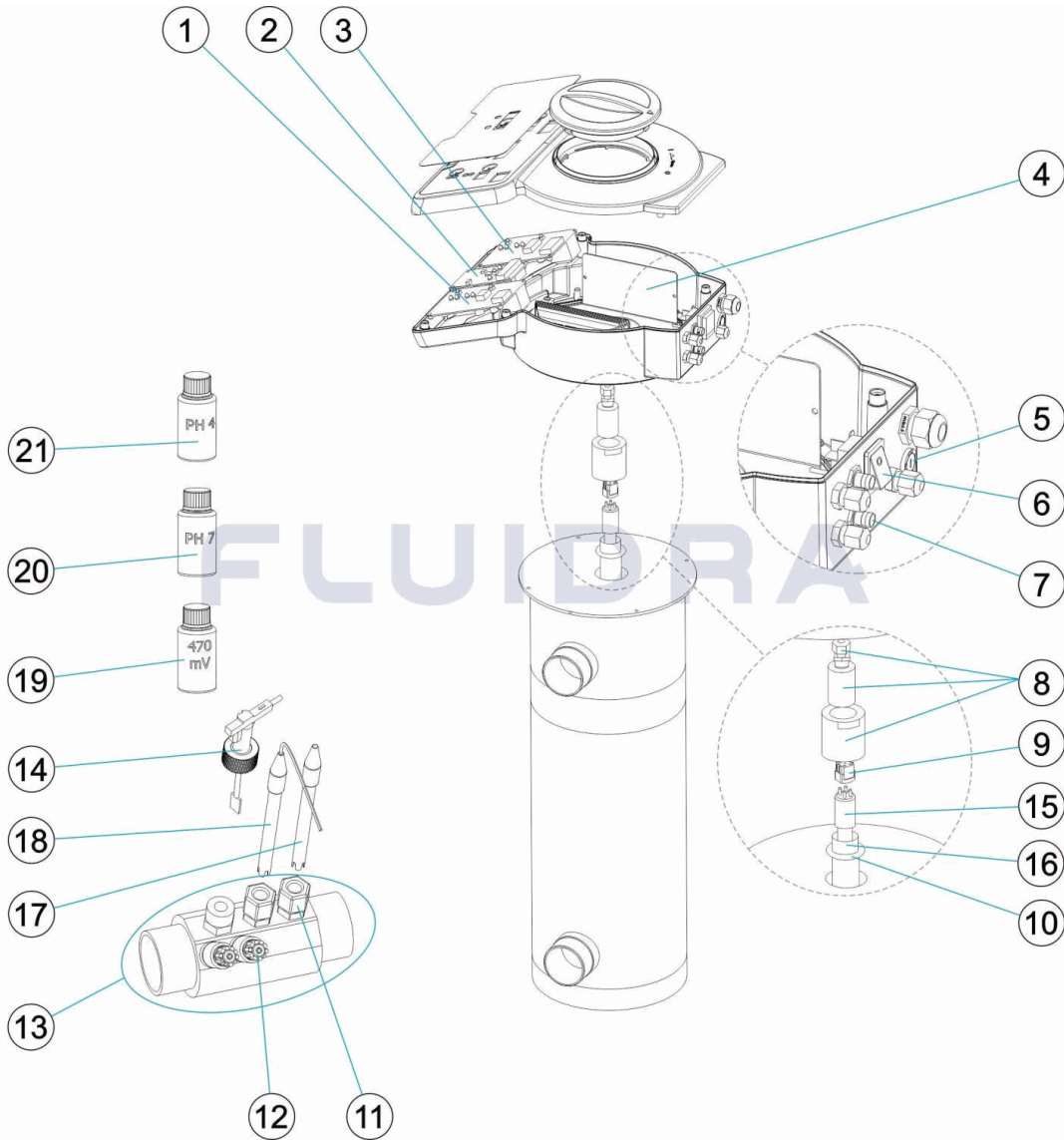
DESCRIZIONE: **UV HELIOX UV LP PE (10,14,20,25)**

OSSERVAZIONI

POS	CODICE	OSSERVAZIONI
1	4408040602	PER: 52218, 52219, 52220, 52221
3	4408041019	PER: 52218, 52219, 52220, 52221
4	4408070061	PER: 52214, 52215, 52218, 52219
4	4408070062	PER: 52216, 52217, 52220, 52221
7	4408070069	PER: 52218, 52219, 52220, 52221
11	4408041310	PER: 52218, 52219, 52220, 52221
12	4408040068	PER: 52218, 52219, 52220, 52221
13	4408070070	PER: 52218, 52219, 52220, 52221
14	4408041211	PER: 52218, 52219, 52220, 52221
15	60559	PER: 52214, 52218
15	60606	PER: 52215, 52219
15	60608	PER: 52216, 52220
15	60609	PER: 52217, 52221
16	60607	PER: 52214, 52215, 52218, 52219
16	60631	PER: 52216, 52217, 52220, 52221
17	60648	PER: 52218, 52219, 52220, 52221
18	60649	PER: 52218, 52219, 52220, 52221
19	60633	PER: 52218, 52219, 52220, 52221
20	60618	PER: 52218, 52219, 52220, 52221
21	60632	PER: 52218, 52219, 52220, 52221

CODE 52214, 52215, 52216, 52217, 52218, 52219, 52220, 52221

BESCHREIBUNG: UV HELIOX LP PE (10,14,20,25)



DEUTSCH

POS	CODE	BESCHREIBUNG	POS	CODE	BESCHREIBUNG
1	* 4408040602	STEUERPLATINE PH	13	* 4408070070	GEHÄUSE SENSOREN
2	4408070066	UV ELEKTRISCHE PLATINE	14	* 4408041211	DURCHFLUSSMESSER
3	* 4408041019	ORP-KONTROLLPLATTE	15	* 60559	LAMPE UV LP - 10
4	* 4408070061	VORSCHALTGERÄT LP 10, 14	15	* 60606	LAMPE UV LP - 14
4	* 4408070062	VORSCHALTGERÄT LP 20, 25	15	* 60608	LAMPE UV LP - 20 (1 X 75 W) UND LP30 V12 (2 X 75
5	4408041015	SICHERUNGSSITZ 6 X 32 RAHMEN	15	* 60609	LAMPE UV LP - 25
6	4408070065	SCHALTER	16	* 60607	QUARZRÖHRE UV LP - 10,14
7	* 4408070069	STECKKUPPLUNG BCN	16	* 60631	QUARZRÖHRE UV LP - 20 - 25 - 30
8	4408070078	SET MUTTERN	17	* 60648	ELEKTRODE KOMBINIERT PH
9	4408070059	STECKKUPPLUNG 4PIN	18	* 60649	ORP-ELEKTRODE
10	4408070077	O-RING	19	* 60633	KALIBRIERLÖSUNG 47 0MV
11	* 4408041310	GEWINDESTÜCK SONDE 12 MM - 1/2"	20	* 60618	PUFFER PH 7,0 50 M/L (GRÜN)
12	* 4408040068	INJEKTORVENTIL PH-MINUS 3/8"	21	* 60632	PUFFER PH 4,0 50 ML (ROT)

* -> SIEHE ANMERKUNGSBLATT

CODE **52214, 52215, 52216, 52217, 52218, 52219, 52220, 52221**

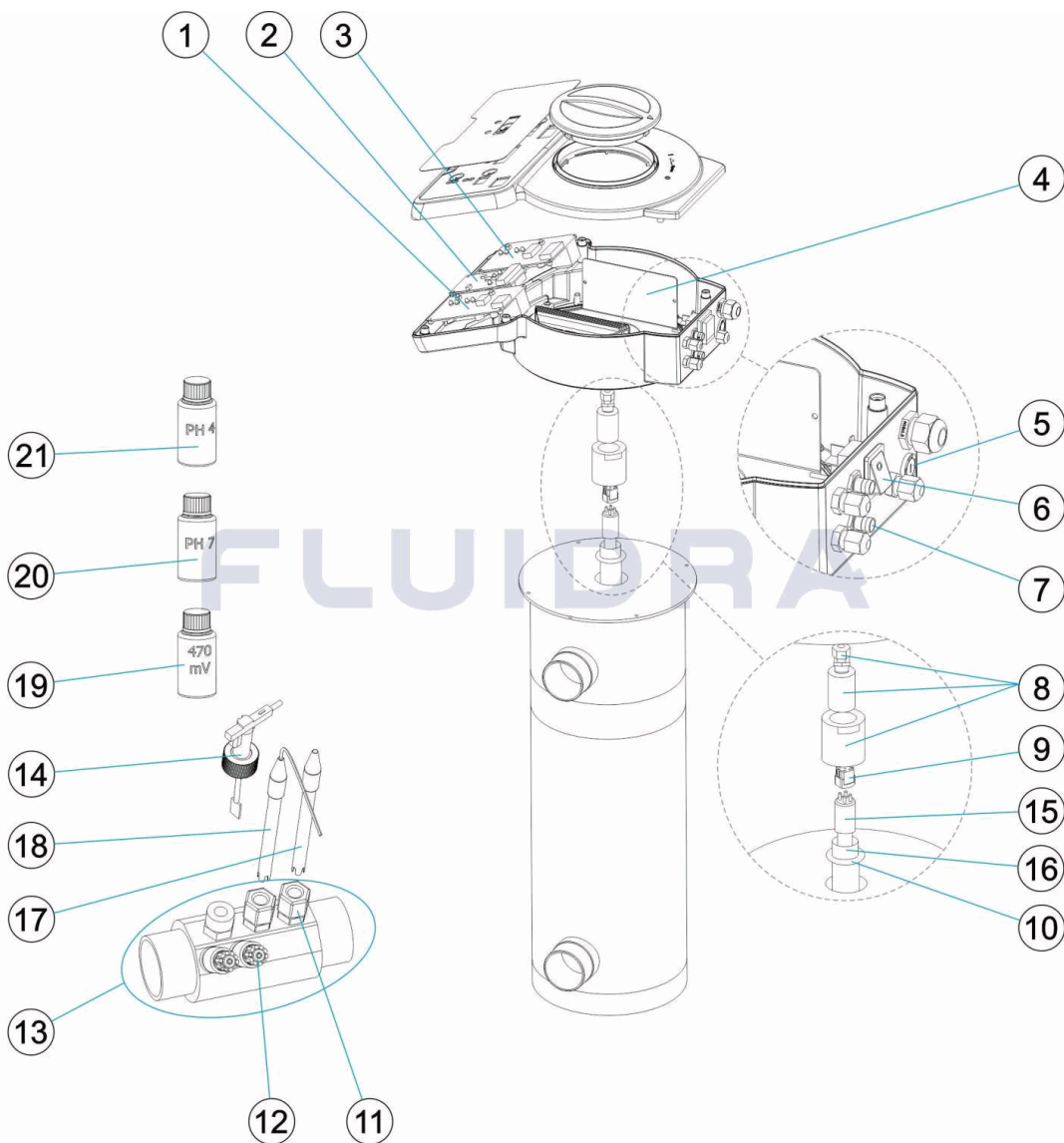
BESCHREIBUNG: **UV HELIOX LP PE (10,14,20,25)**

HINWEISE

POS	CODE	HINWEISE
1	4408040602	FÜR: 52218, 52219, 52220, 52221
3	4408041019	FÜR: 52218, 52219, 52220, 52221
4	4408070061	FÜR: 52214, 52215, 52218, 52219
4	4408070062	FÜR: 52216, 52217, 52220, 52221
7	4408070069	FÜR: 52218, 52219, 52220, 52221
11	4408041310	FÜR: 52218, 52219, 52220, 52221
12	4408040068	FÜR: 52218, 52219, 52220, 52221
13	4408070070	FÜR: 52218, 52219, 52220, 52221
14	4408041211	FÜR: 52218, 52219, 52220, 52221
15	60559	FÜR: 52214, 52218
15	60606	FÜR: 52215, 52219
15	60608	FÜR: 52216, 52220
15	60609	FÜR: 52217, 52221
16	60607	FÜR: 52214, 52215, 52218, 52219
16	60631	FÜR: 52216, 52217, 52220, 52221
17	60648	FÜR: 52218, 52219, 52220, 52221
18	60649	FÜR: 52218, 52219, 52220, 52221
19	60633	FÜR: 52218, 52219, 52220, 52221
20	60618	FÜR: 52218, 52219, 52220, 52221
21	60632	FÜR: 52218, 52219, 52220, 52221

CODIGO 52214, 52215, 52216, 52217, 52218, 52219, 52220, 52221

DESCRIÇÃO: UV HELIOX UV LP PE (10,14,20,25)



PORTUGUES

POS	CODIGO	DESCRIÇÃO	POS	CODIGO	DESCRIÇÃO
1	* 4408040602	PLACA CONTROLO PH	13	* 4408070070	CORPO SENSORES
2	4408070066	UV CARTÃO ELECTRÓNICO	14	* 4408041211	FLUXO-ESTATO
3	* 4408041019	PLACA CONTROLO ORP	15	* 60559	LÂMPADA UV LP-10
4	* 4408070061	BALASTRO LP 10, 14	15	* 60606	LÂMPADA UV LP-14
4	* 4408070062	BALASTRO LP 20, 25	15	* 60608	LÂMPADA UV LP-20 (1X75W) Y LP30 V12 (2X75W)
5	4408041015	PORTAFUSIVEIS 6X32 CHASIS	15	* 60609	LÂMPADA UV LP-25
6	4408070065	INTERRUPTOR	16	* 60607	TUBO DE QUARZO LP 10, 14
7	* 4408070069	LIGAÇÃO BCN	16	* 60631	TUBO DE QUARZO LP 20, 25, 30
8	4408070078	CJTO. PORCAS	17	* 60648	ELECTRODO COMBINADO PH
9	4408070059	LIGAÇÃO 4PIN	18	* 60649	ELECTRODO ORP
10	4408070077	JUNTA TÓRICA	19	* 60633	SOLUÇÃO TAMPÃO 470 MV
11	* 4408041310	CONECTOR 12M/M. - 1/2"	20	* 60618	SOLUÇÃO TAMPÃO PH 7,0 50 M/L. (VERDE)
12	* 4408040068	VALVOLA INJEÇÃO PH-MINUS 3/8"	21	* 60632	SOLUÇÃO TAMPÃO PH 4,0 50 ML. (VERMELHO)

*** -> VEJA A FICHA DE OBSERVAÇÕES**

CODIGO 52214, 52215, 52216, 52217, 52218, 52219, 52220, 52221

DESCRIÇÃO: UV HELIOX UV LP PE (10,14,20,25)

OBSERVACÕES

POS	CODIGO	OBSERVACÕES
1	4408040602	PARA: 52218, 52219, 52220, 52221
3	4408041019	PARA: 52218, 52219, 52220, 52221
4	4408070061	PARA: 52214, 52215, 52218, 52219
4	4408070062	PARA: 52216, 52217, 52220, 52221
7	4408070069	PARA: 52218, 52219, 52220, 52221
11	4408041310	PARA: 52218, 52219, 52220, 52221
12	4408040068	PARA: 52218, 52219, 52220, 52221
13	4408070070	PARA: 52218, 52219, 52220, 52221
14	4408041211	PARA: 52218, 52219, 52220, 52221
15	60559	PARA: 52214, 52218
15	60606	PARA: 52215, 52219
15	60608	PARA: 52216, 52220
15	60609	PARA: 52217, 52221
16	60607	PARA: 52214, 52215, 52218, 52219
16	60631	PARA: 52216, 52217, 52220, 52221
17	60648	PARA: 52218, 52219, 52220, 52221
18	60649	PARA: 52218, 52219, 52220, 52221
19	60633	PARA: 52218, 52219, 52220, 52221
20	60618	PARA: 52218, 52219, 52220, 52221
21	60632	PARA: 52218, 52219, 52220, 52221